



Vari-Flo™

MULTI-PORT VALVES



The Vari-Flo Valve—a unique six position filter control valve, combining outstanding hydraulic and mechanical characteristics and piping versatility with rugged, modern materials. Completely corrosion-free, and molded in a luxurious finish, the Vari-Flo is an efficient, positive sealing control valve for all filtration applications.

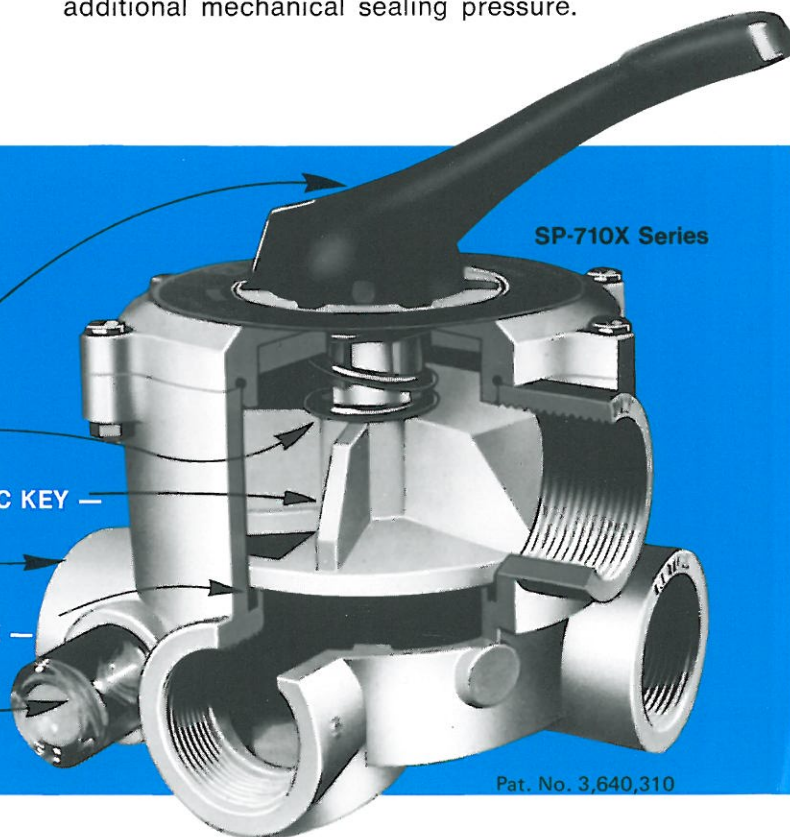
MODEL SP-710X	1½" VARI-FLO VALVE – Standard
MODEL SP-715	2" VARI-FLO VALVE – Standard

The exceptionally efficient design of the Vari-Flo Valve assures low pressure drop and positive sealing in all positions. Water is introduced over the valve disc key in all positions and uses pump pressure to seal the valve disc key against the valve seat. A heavy-duty stainless steel spring provides additional mechanical sealing pressure.



SP-715 Series

- EASY-TO-OPERATE LEVER-ACTION HANDLE
- HEAVY-DUTY STAINLESS STEEL SPRING
- HIGH DENSITY ABRASION-RESISTANT NORYL® VALVE DISC KEY —
Precision Machined for Dependable Sealing
- RUGGED, MOLDED ABS BODY AND COVER —
Attractively and Permanently Finished
- NEOPRENE VALVE SEAT WITH RAISED SEALING SURFACE —
For Long Life and Positive Sealing
- BUILT-IN SIGHT GLASS —
For Convenient Backwash Viewing

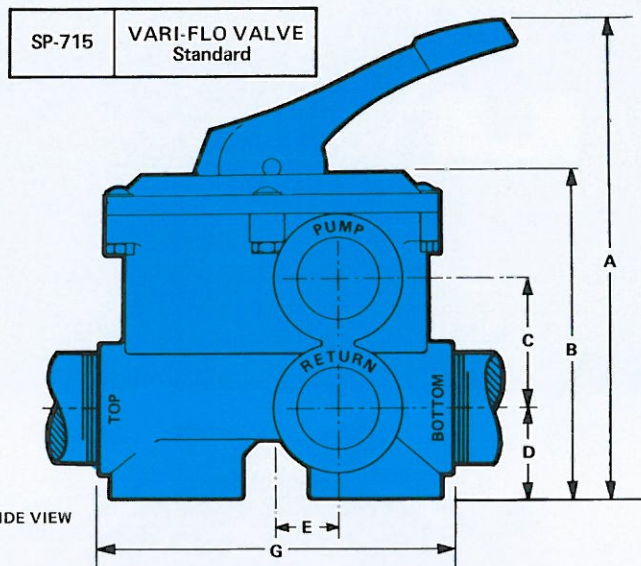
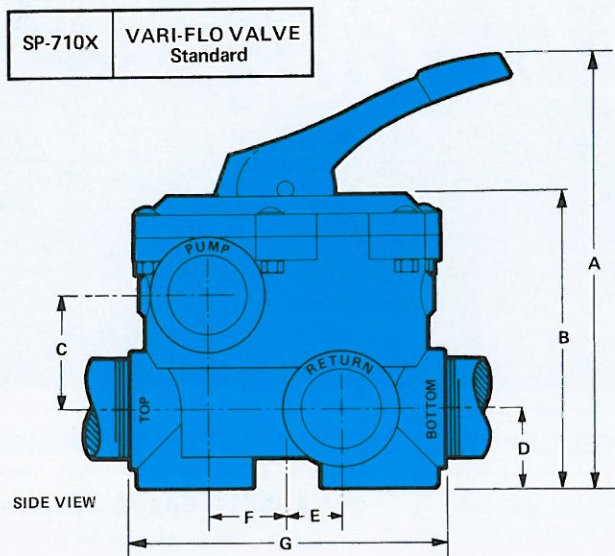


Pat. No. 3,640,310

OUTSTANDING FEATURES

- ★ Six positive sealing and positive indexing positions: FILTER, BACKWASH, WASTE, RINSE (FILTER-TO-WASTE), CLOSED, RECIRCULATE.
- ★ Unparalleled piping versatility for all filter styles. Standard outlets, as illustrated, plus 3 additional piping variations for filter influent and filter effluent ports.
- ★ Totally non-corrosive construction: Rugged heavy-duty ABS body and cover — abrasion resistant Noryl valve disc key.
- ★ Water pressure from pump assures constant and uniform seal in all positions.
- ★ Unique design assures exceptionally low pressure drop, resulting in more efficient filtration at equivalent pump horsepower.
- ★ Automatic self-cleaning design prevents clogging or sticking. By depressing handle, valve disc key is lifted off valve seat gasket, allowing gasket to be flushed clean.
- ★ Precision-engineered seals — Dual O-ring/Teflon shaft seal, molded Neoprene valve seat, and high pressure o-ring cover seal.
- ★ Easy to operate lever-action handle rotates on a non-metallic bearing.

DIMENSIONS

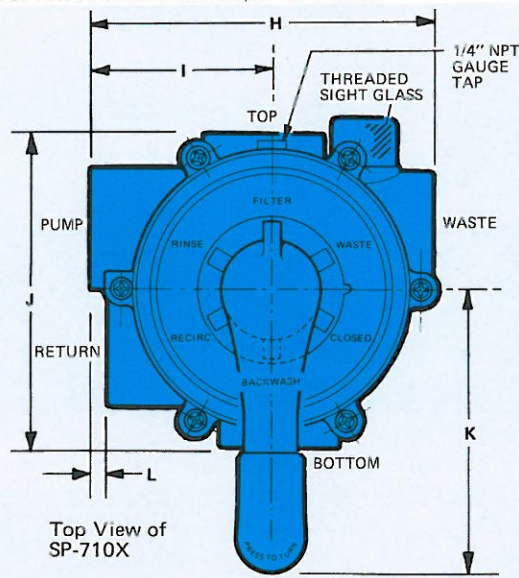


		A	B	C	D	E	F	G	H	I	J	K	L
SP-710X	in.	8-1/2	6-3/8	2-1/2	1-3/4	1-3/16	1-11/16	6-3/4	7-1/2	3-3/4	6-3/4	4-7/8	1/4
	mm.	216	162	64	45	30	43	171	191	95	171	124	6
SP-715	in.	11	8-1/4	3	2-3/16	1-3/8	—	8-7/8	8-11/16	4-7/16	8-7/8	5-5/8	—
	mm.	279	210	76	56	35	—	225	221	113	225	149	—

Model SP-710X-ALL and SP-715-ALL: dimensions same as SP-710X and SP-715. ALL combinations open and threaded.

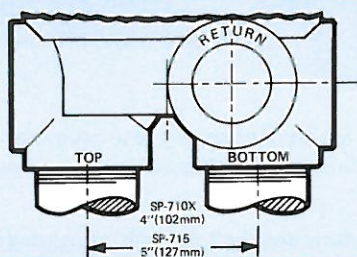
FUNCTION OF VALVE POSITIONS

- FILTER** *For normal filtration, and vacuuming pool thru filter.*
- BACKWASH** *For reversing flow for cleaning filter.*
- RINSE** *For initial start-up cleaning, plus re-setting filter bed after backwashing.*
- WASTE** *For vacuuming directly to waste, lowering pool level/draining pool.*
- CLOSED** *For shutting off all flow to filter and pool.*
- RECIRCULATE** *For by-passing filter, but circulating pool water.*

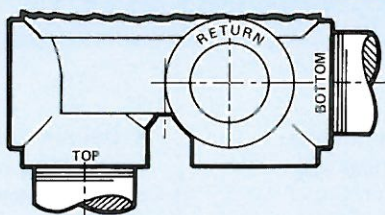


PORT PIPING VARIATIONS

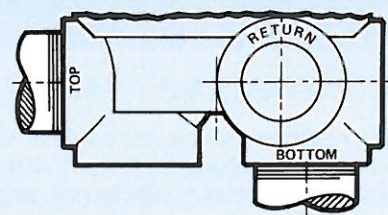
The Vari-Flo is available with three additional port variations for "TOP" (filter influent) and "BOTTOM" (filter effluent) ports.



1 MODELS SP-710X-1, 715-1
"TOP" and "BOTTOM" Ports on bottom of valve body.



2 MODELS SP-710X-2, 715-2
"TOP" Port on bottom of valve body; "BOTTOM" Port on side.



3 MODELS SP-710X-3, 715-3
"TOP" Port on side of valve body; "BOTTOM" Port on bottom.



HAYWARD POOL PRODUCTS, INC.

Hayward Pool Products, Inc.
900 Fairmount Avenue
Elizabeth, NJ 07207

Hayward Pool Products, Inc.
2875 Pomona Boulevard
Pomona, CA 91768

Hayward Pool Products Canada
2880 Plymouth Drive
Oakville, Ontario L6H 5R4

Hayward S.A.
Zoning de Jumet
B6040 Jumet, Belgium